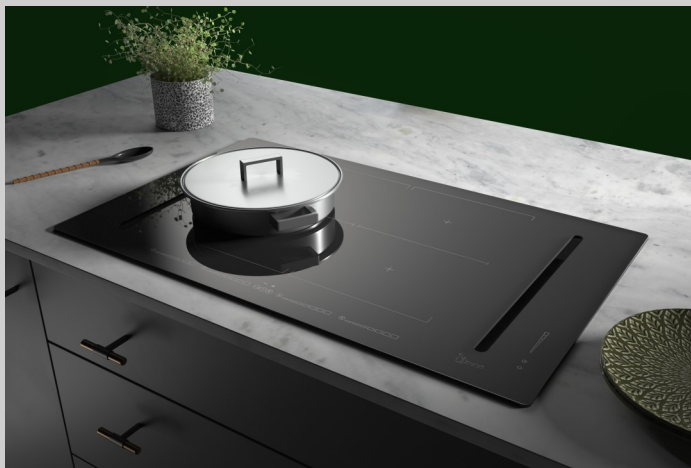




Diamond Flex Hob & Extractor

Version

580mm—Black Glass



FEATURES

Black Glass
Backlit Touch Control
Keylock
9 levels Booster Function
Timer
Thermal Control
Protection
Child Safety Switch

TECHNICAL FEATURES

Installation Type
Countertop

Dimensions
800mm

Finish
Black Glass

Motor
395-695m³/h

Type of Control
Touch Control

Speed Settings
4

Lighting
None

PACKAGING

Net Weight
45kg

Volume
0.21m³

Packaging Size
Length - 950mm
Height - 480mm
Depth - 480mm

CONSUMPTION AND CONNECTION FEATURES

Maximum Consumption
7200W

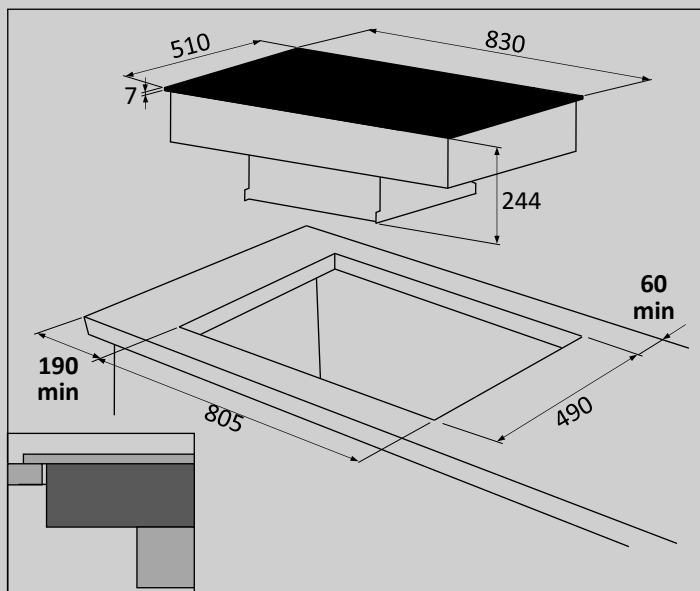
Current
Extractor: 3A Max
Hob: 32A

Voltage
220-240V

Motor Technical Data

Motor	H800 Motor
Airflow m ³ /h	395-695
Pressure Pa	315
Noise dB	48-67
Power W	167
Outlet Width mm	220x90
Energy Class	A

Surface Mounted



Flush Mounted

