

Donizetti Built-In Cupboard Hood

Version
600mm – Stainless Steel – H800



The photo is purely for information it may not correspond to the selected version

FEATURES

Stainless Steel
Touch Buttons

TECHNICAL FEATURES

Installation type
Built-In

Dimensions
600mm

Finish
Stainless Steel

Motor
H800 – 279-538 (692) m³/h

Type of control
Touch Buttons

Speed settings
4

Lighting
LED Strip

PACKAGING

Net weight
13kg

Volume
0.16m³

Packaging size
Length – 1000 mm
Height – 380 mm
Depth – 415 mm

CONSUMPTION AND CONNECTION FEATURES

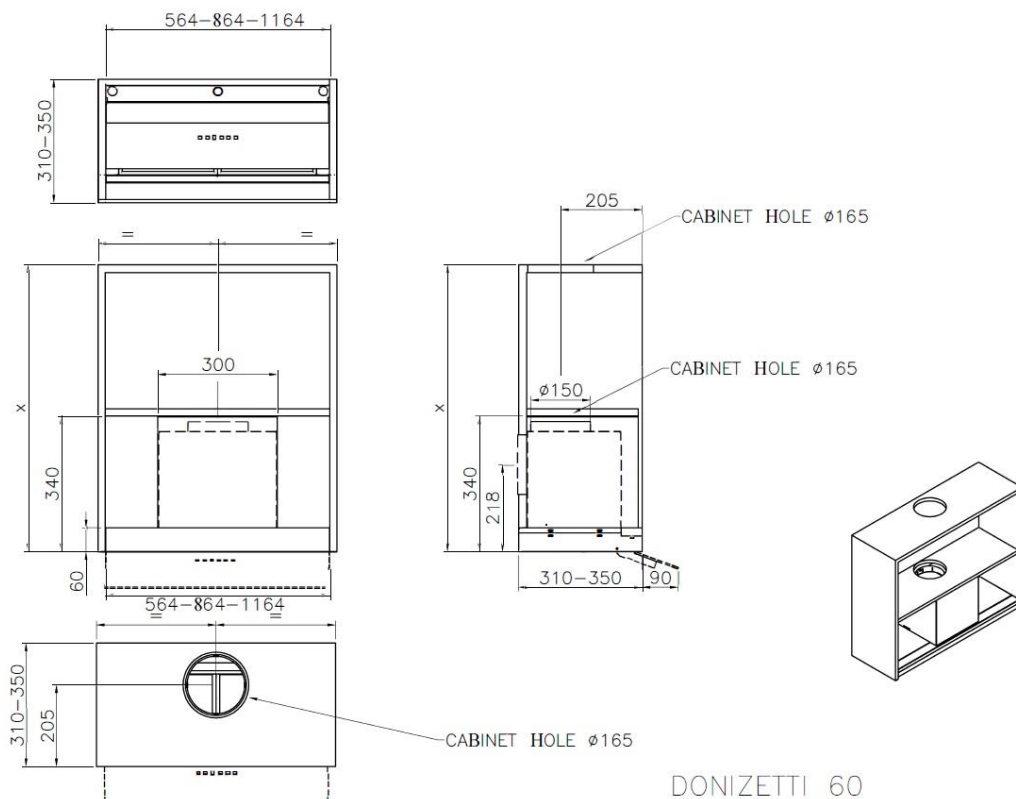
Maximum consumption
237.4W

Current
3A

Voltage
220-240V

MOTOR TECHNICAL DATA

Motor	H800 Motor
Airflow m ³ /h	279-538 (692)
Pressure Pa	574
Noise db	47-60
Power W	235
Outlet Width mm	150
Energy Class	B



DONIZETTI 60