

## Donizetti Built-In Cupboard Hood

Version  
1200mm – Stainless Steel – H800



The photo is purely for information it may not correspond to the selected version

### FEATURES

**Stainless Steel**  
**Touch Buttons**

### TECHNICAL FEATURES

**Installation type**  
Built-In

**Dimensions**  
1200mm

**Finish**  
Stainless Steel

**Motor**  
H800 – 288-554 (731) m<sup>3</sup>/h

**Type of control**  
Touch Buttons

**Speed settings**  
4

**Lighting**  
LED Strip

### PACKAGING

**Net weight**  
13kg

**Volume**  
m<sup>3</sup>

**Packaging size**  
Length –  
Height –  
Depth –

### CONSUMPTION AND CONNECTION FEATURES

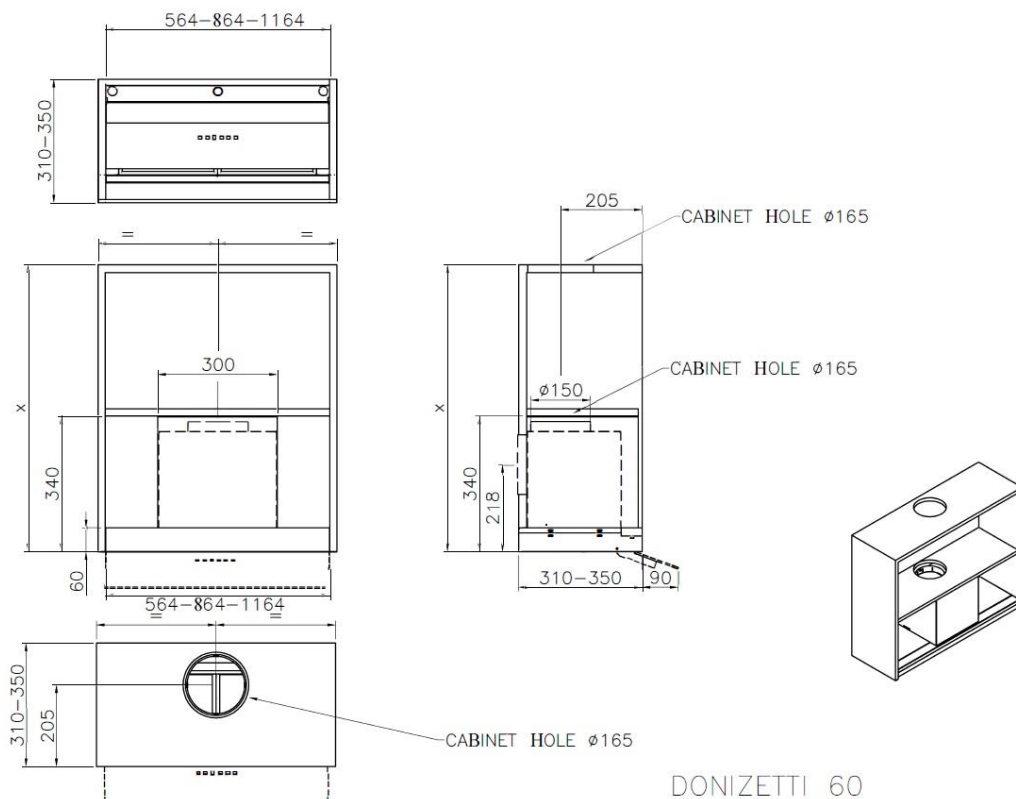
**Maximum consumption**  
237.4W

**Current**  
3A

**Voltage**  
220-240V

### MOTOR TECHNICAL DATA

| Motor                     | H800 Motor    |
|---------------------------|---------------|
| Airflow m <sup>3</sup> /h | 288-554 (731) |
| Pressure Pa               | 574           |
| Noise db                  | 47-60         |
| Power W                   | 235           |
| Outlet Width mm           | 150           |
| Energy Class              | B             |



DONIZETTI 60