



Raffaello Ceiling Hood

Version
1200mm— White Panel & Stainless Steel Frame—
AME12 Motor



This photo is purely for information, it may not correspond to the selected version

FEATURES

White Panel
Stainless Steel Frame
Remote Control

TECHNICAL FEATURES

Installation Type
Ceiling

Dimensions
1200mm

Finish
White Panel & Stainless Steel Frame

Motor
AME12— 418-705 (826)m³/h

Type of Control
Remote Control

Speed Settings
4

Lighting
Dimmable LED panel—36W—
3000K

Filter
Metallic filter—9x220x290mm

PACKAGING

Net Weight
22kg

Volume
0.3m³

Packaging Size
Length - 1290mm
Height - 330mm
Depth - 710mm

CONSUMPTION AND CONNECTION FEATURES

Maximum Consumption
226W

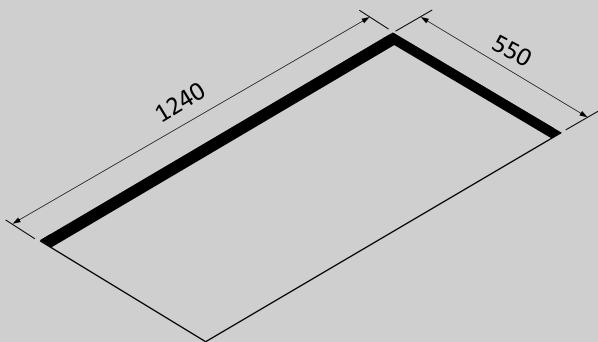
Current
3A Max

Voltage
220-240V

Motor Technical Data

Motor	AME12 Motor
Airflow m ³ /h	418-705 (826)
Pressure Pa	772
Noise dB	65-85
Power W	190
Energy Class	B

Cut-Out Dimensions:



Without Motor

