



## Otello Ceiling Hood

Version  
1200mm—Extra White Glass & Stainless Steel  
Frame— H850 Motor



This photo is purely for information, it may not correspond to the selected version

### FEATURES

White Glass  
Stainless Steel Frame  
Remote Control

### TECHNICAL FEATURES

**Installation Type**  
Ceiling

**Dimensions**  
1200mm

**Finish**  
White Glass & Stainless Steel  
Frame

**Motor**  
H850— 335-584 (779)m<sup>3</sup>/h

**Type of Control**  
Remote Control

**Speed Settings**  
4

**Lighting**  
3 x LEDs—1.2W—4000K

**Filter**  
Metallic filter—9x220x290mm

### PACKAGING

**Net Weight**  
31kg

**Volume**  
0.31m<sup>3</sup>

**Packaging Size**  
Length - 1290mm  
Height - 700mm  
Depth - 345mm

### CONSUMPTION AND CONNECTION FEATURES

**Maximum Consumption**  
283.6W

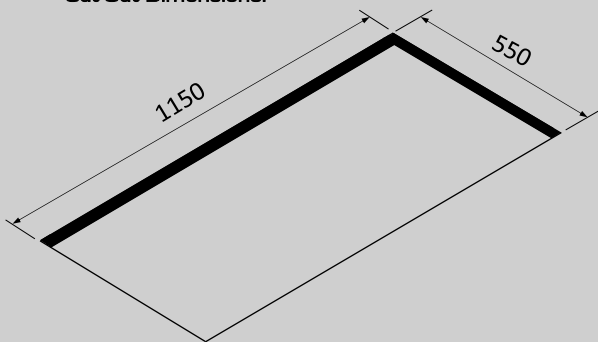
**Current**  
3A Max

**Voltage**  
220-240V

### Motor Technical Data

Motor	H850 Motor
Airflow m <sup>3</sup> /h	335-584 (779)
Pressure Pa	597
Noise dB	47-67
Power W	280
Outlet Width mm	150
Energy Class	A

Cut-Out Dimensions:



With Motor

