



## Hamlet 60 & 80 Wall Hood



## Installation & User Instructions

**Please read these instructions carefully before installing and operating this appliance**

# Contents

<b>1. Introduction</b>	<b>3</b>
<b>2. Health and Safety</b>	<b>3-4</b>
<b>3. Warranty Information</b>	<b>4</b>
<b>4. Installation</b>	<b>4-9</b>
<b>4.1 Assembly Instructions</b>	<b>5-6</b>
<b>4.2 Electrical Wiring</b>	<b>7-9</b>
<b>4.2.1 Electrical Wiring Diagram</b>	<b>8</b>
<b>4.2.2 Controls</b>	<b>9</b>
<b>5 Use &amp; Maintenance</b>	<b>9-10</b>
<b>5.1 Changing the Light Bulbs</b>	<b>9</b>
<b>5.2 Cleaning the Metal Filters</b>	<b>9</b>
<b>5.3 Carbon Filters</b>	<b>9-10</b>
<b>5.3.1 Polyester Carbon Filters</b>	<b>9-10</b>
<b>5.3.2 Long Life Carbon Filters</b>	<b>10</b>
<b>5.4 Cleaning the Hood</b>	<b>10</b>
<b>6 Technical Data</b>	<b>10</b>
<b>7 Dimensions</b>	<b>11-14</b>
<b>7.1 Hamlet 60</b>	<b>11-12</b>
<b>7.2 Hamlet 80</b>	<b>13-14</b>

# 1. Introduction

Dear Customer,




We wish to thank you for choosing this Air Uno cooker hood. In order to get the best performance from your appliance we recommend that you read this booklet carefully before operating the appliance for the first time.

## Revisions to the publication

In order to improve the product, to keep this publication up to date the manufacturer reserves the right to make modification without any advance notice. Any reproduction, even in part, of this manual without the consent of the manufacturer is prohibited.

## Care of the manual and how to consult it

- Take good care of this manual and keep it in a place which can be easily and quickly reached.
- If this manual should be lost or destroyed, or if it is in poor condition, ask for a copy from your retailer, providing product identification data.
- Information which is essential or that requires special attention is shown in bold text.

	<b>ATTENTION</b> This warning sign indicates that the message to which it refers should be carefully read and understood, because failure to comply with what these notices say can cause serious damage to the extractor and put the user's safety at risk.
	<b>INFORMATION</b> This symbol is used to highlight information which is important for proper extractor operation. Failure to comply with these provisions will compromise use of the boiler and its operation will not be satisfactory.
	<b>MANUAL</b> Indicates that you should carefully read this manual or the related instructions.

## 2. Health and Safety



- **Installation of the cooker hood, making electrical connections, checking its operation and maintenance are all tasks which should be carried out by qualified and authorised personnel.**
- **Install the cooker hood in accordance with the regulations in force in your local area, region and country.**

- For the correct use of the appliance and to prevent accidents, the instructions given in this booklet must always be followed.
- Before beginning any operation, the user, or whoever is preparing to operate on the appliance, must have read and understood the entire contents of this instruction booklet.
- All responsibility for improper use is taken entirely by the user and as such relieves Air Uno of any civil or criminal responsibility.
- In view of the fact that it is an electrical appliance, do not touch the appliance with wet hands.
- Before carrying out any cleaning or maintenance operation, make sure in advance that the appliance is isolated from the mains electricity supply.
- Incorrect installation or faulty maintenance (not conforming to the requirements set out in this booklet) can cause harm to people, animals or property. In such cases Air Uno is absolved from any civil or criminal responsibility.

**This product complies with EU Directive EU2002/96/EC.**

The crossed bin symbol on the appliance indicates that the product, at the end of its life, must be disposed of separately from domestic waste, either by taking it to a separate waste disposal site for electric and electronic appliances or by returning it to your dealer when you buy another similar appliance. The user is responsible for taking the appliance to a special waste disposal site at the end of its life. If the disused appliance is collected correctly as separate waste, it can be recycled, treated and disposed of ecologically.

### WARNINGS:

- This appliance can be used by children aged from 8 years and above and persons with reduced physical, sensory or mental capabilities, or lack of experience and knowledge if they have been given supervision or instruction concerning use of the appliance in a safe way and understand the hazards involved.
- Children shall not play with the appliance. Cleaning and user maintenance shall not be made by children without supervision.
- Before cleaning or performing any periodic or urgent maintenance to the hood, isolate the mains supply and turn the main switch off.
- Do not connect the hood to any piping used for combustion appliances, such as burners, boilers or fire places.
- Check that the main power supply corresponds to the voltage required by the hood, which is

given on the silver label stuck inside the hood. Ensure that the electric system is correctly earthed and that the earth discharge works correctly.

- When cooking do not use any materials that could form high or unusual flames. Oil that has been used twice and fats are very dangerous and could easily catch fire. Do not prepare flambé dishes under the hood.
- Once the specialised technician has completed the installation of the hood equipped with a remote motor, all the leads, connectors, ground connections and the remote motor must not be accessible to the user. Only the installer is granted access by removing screwed on panel.
- Respect local legislation and regulations issued by the relative authorities regarding the exhaust air when the suction is operating. Failure to respect and perform all maintenance and cleaning operations described in this handbook could cause a fire hazard.



**ATTENTION:** Accessible parts may become hot when the hood is used with cooking appliance.

### 3. Warranty Information

We offer a 4 year warranty on all Airuno cooker hoods, which will start from the date of delivery. The warranty covers parts and labour for the 4 year term based on whether its proved to be either faulty materials or components. We will at our own discretion either repair or replace the goods Free of Charge, including any carriage costs.

This is based on the following conditions:-

1. The product has been fitted/installed as per our instructions.
2. The product has been used for normal domestic purposes only, and in accordance with the manufacturer's operating and maintenance instructions.
3. The product has been serviced, maintained, repaired, taken apart or tampered with by any person not authorised by us.

### EXCLUSIONS

This guarantee does not cover:

- Damage or calls resulting from incorrect installation, transportation, improper use or

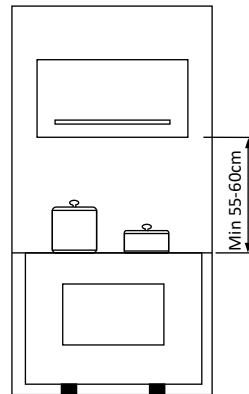
neglect, the replacement of any light bulbs or removable parts of glass or plastic.

- Costs incurred for calls to put right appliances improperly installed or calls to appliances outside the United Kingdom.
- Normal wear and tear.
- Products deemed to be in use within a commercial environment.
- Grease filter mesh.
- Bulbs and LEDs.
- Carbon filters.
- Damage caused to the body by usage of detergent spray or other contaminants.
- Damage or corrosion of the LED parts, glass and stainless steel parts.
- Any products taken apart or serviced by unauthorised individuals or service engineers or replaced with other manufacturer's components.
- Product which is not installed with the correct size ducting.

This guarantee is in addition to your statutory and legal rights.

### 4. Installation

The minimum safety distance between the bottom of the hood and the top of the cooking hob must be 550mm for induction hobs and 600mm for gas hobs (**Fig 1**), smaller distances must be previously authorised by the manufacturer. Please also refer to hob manufacturers minimum distances as they may give greater distances which must be adhered to.



**Fig 1**

The hood can be used for both filtering and suction. When the filtering function is operating, i.e. with air

recycle, carbon filters must be used (refer to the paragraph on Carbon Filters **page 9**).

When the suction function is operating i.e. exhausting the filtered air on the outside, a suitable compensation system must be used according to current standards in force. The diameter of the fume exhaust pipe must be the same or greater than the diameter of the hood pipe union.

There must be sufficient ventilation in the room where the hood is installed, to allow simultaneous use of other appliances that use gas or other fuels.



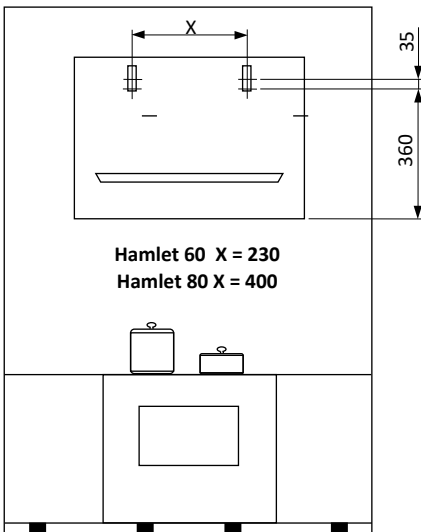
**Ø150mm round or 220x90mm rectangular ducting must be used. Ducting with a smaller diameter could cause airflow issues.**

## 4.1 Assembly Instructions

**Attention:** Before proceeding with the installation, make sure that the screws and the anchors already supplied, are suitable for the type of wall the hood must be fixed to.

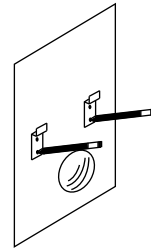
To assemble the hood use the accessories that are supplied and follow the instructions given in the enclosed hand book.

### Bracket dimensions



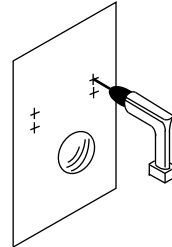
**Fig 2**

1. Mark where the 2 brackets will be fixed and if the hood is using back outlet mark and cut out the hole (**Fig 3**).



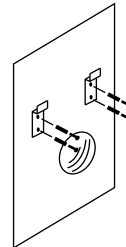
**Fig 3**

2. Drill a 6mm holes where you have marked (**Fig 4**).



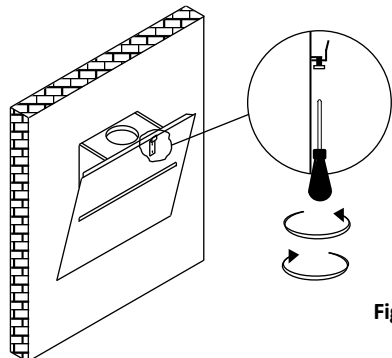
**Fig 4**

3. Attach brackets to wall using plug and screws (**Fig 5**).



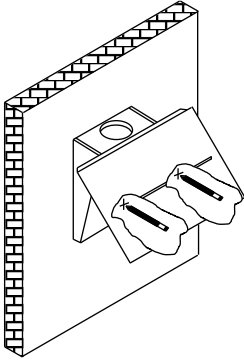
**Fig 5**

4. Hang the Hamlet over the bracket and fix with screws (**Fig 6**).



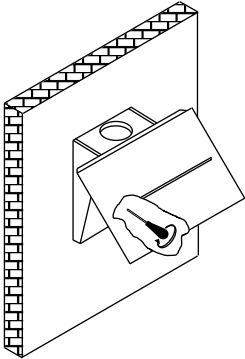
**Fig 6**

5. Mark the two other screw positions (**Fig 7**).



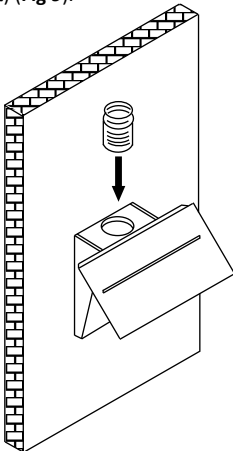
**Fig 7**

6. Drill both holes and fix the Hamlet to the wall using plugs and screws (**Fig 8**).



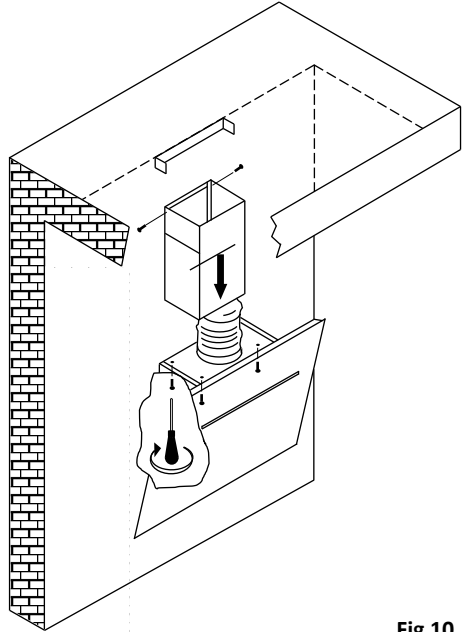
**Fig 8**

7. Attach ducting to top of Hamlet (if not using back outlet) (**Fig 9**).



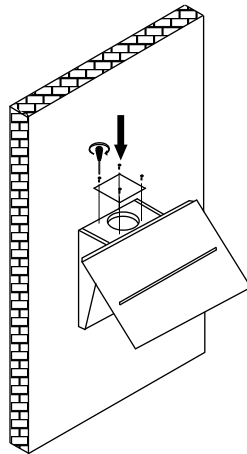
**Fig 9**

8. Fix chimney to the Hamlet and wall (**Fig 10**).



**Fig 10**

9. If you are using the back outlet then you must turn the motor 90 degrees and fit the plate to the top outlet (**Fig 11**).



**Fig 11**

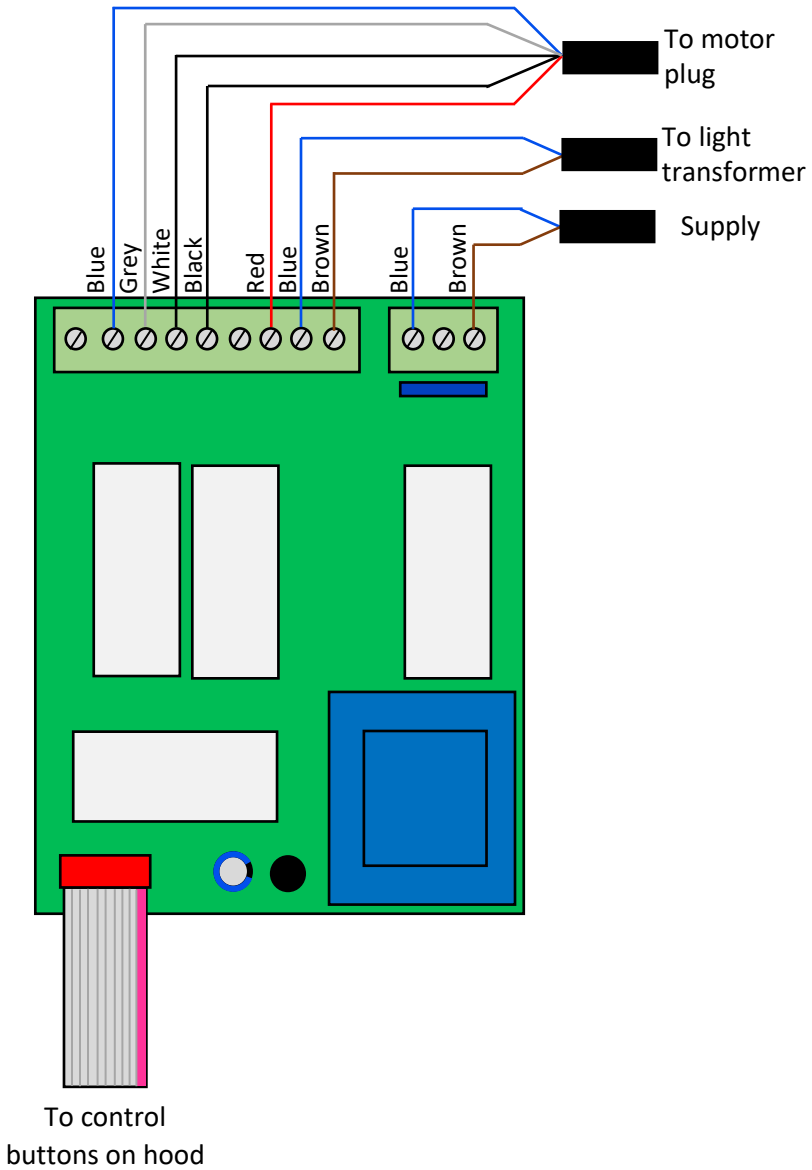
## 4.2 Electrical Wiring

The electrical wiring must be performed by a specialised electrician fully respecting current standards and legislation in force. **Check that the power supply corresponds to the voltage requested by the hood, which is given on the silver label stuck inside the hood.** Ensure that the wiring system conforms to current standards and the earth discharge works efficiently. Pay special attention to the hood power cable, ensure that it does not pass through any holes without a cable clamp. For direct connection to the electrical mains it is necessary to provide a device that ensures disconnection from the electrical mains, with an opening distance of the contacts that allows the complete disconnection under the conditions of overvoltage category III, in accordance with the rules of installation. The plug or Omni polar switch must be accessible when the unit is installed.

If the power cord is damaged, it must be replaced by a special cord or assembly available from the manufacturer or its service agent. The cable must be of type H05VV-F 3 x 0.75mm<sup>2</sup> minimum cross-section.

**The manufacturer declines all responsibility if the current accident prevention standards in force are not respected, which are needed for the wiring system to operate correctly.**

## 4.2.1 Electrical Wiring Diagram





## 4.2.2 Controls

The Hamlet can be controlled by either the soft touch buttons on the unit (Fig 12). This allows the user to control the hoods on/off functions and motor speeds.

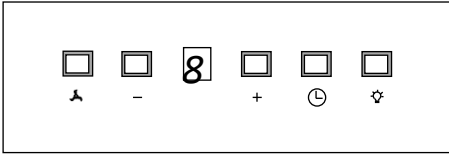


Fig 12

- ⊞ Turns motor on at speed 2 and for turning the motor off.
- ⊕ Increases motor speed.
- ⊖ Decreases motor speed.
- ⊞ Turns lights on
- ⌚ Timer button for turning the motor off after 10 minutes.

## 5. Use & Maintenance

Before beginning any sort of cleaning or maintenance work, turn the power off to the hood by turning the main switch to 0 (OFF).

### 5.1 Changing the Light Bulbs

**12V halogen G4 attachment:** Use a screwdriver to unscrew the glass support ring (Fig 13 & 14). Remove the glass and change the light bulb. Replace the protective glass and screw back the ring. The light bulbs can be purchased in any electrical supply shop.

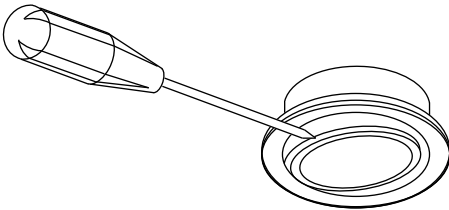


Fig 13

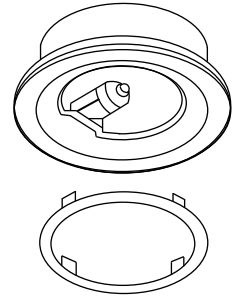


Fig 14

**Dichroic lamp G4 attachment:** Use a screwdriver to remove and change the dichroic lamp (Fig 15).

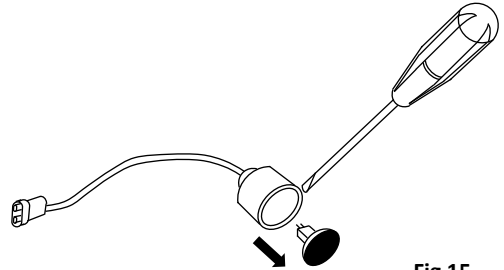


Fig 15

LED spotlight replacement should only be carried out by qualified technicians using only original spare parts.

### 5.2 Cleaning the Metal Filters

The metal filters fitted in the hood should be washed every 2-3 months, depending on how much the hood is used, using hot water and a liquid detergent that is not too aggressive.

The metal filters can be removed by the special handle, unhooking the front part of the filter and pulling it downwards.

### 5.3 Carbon Filters

The hood can be used with active carbon filters which traps the cooking smells. There are either polyester or long life carbon filters and these are situated behind the grease filters.

#### 5.3.1 Polyester Carbon Filters

These cannot be reused or washed and must be periodically changed (every 4 months if the hood is

used for 2 hours every day). Saturated filters could be a fire hazard. The filters in the Hamlet are rectangular.

### 5.3.2 Long Life Carbon Filters

These can be cleaned and reactivated. The filter should be cleaned every other month if used normally. The filter is best cleaned in a dishwasher at the highest temperature using normal washing detergent. The filter should be washed on its own to prevent particles of food fastening in it and then causing an unpleasant smell later on (Fig 16).

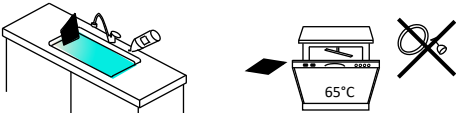


Fig 16

To reactivate, the carbon filter should be dried in the oven. Choose upper/lower heat and maximum 100°C and dry the filter for 10 minutes (Fig 17). The filter must be changed when it no longer absorbs the cooking smells sufficiently.

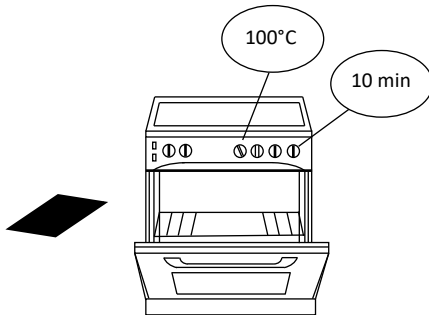


Fig 17

### 5.4 Cleaning the Hood

The surfaces of the hood should be cleaned frequently, to avoid the risk of having to remove built up and encrusted deposits and stains.

For the painted or copper plated hoods just a soft cloth with warm water and a neutral detergent. Do not pour the detergent directly onto the hood or use powdery or abrasive products. For the stainless steel hood, use special products and cloths for satin finish stainless steel (not abrasive, corrosive detergents or

detergents containing chloride), ensuring to clean in the same direction as the satin finish.

Do not use aggressive products, chemical solvents or derivatives of oil distillates that could leave oily traces which could cause oxidation and polymerisation.

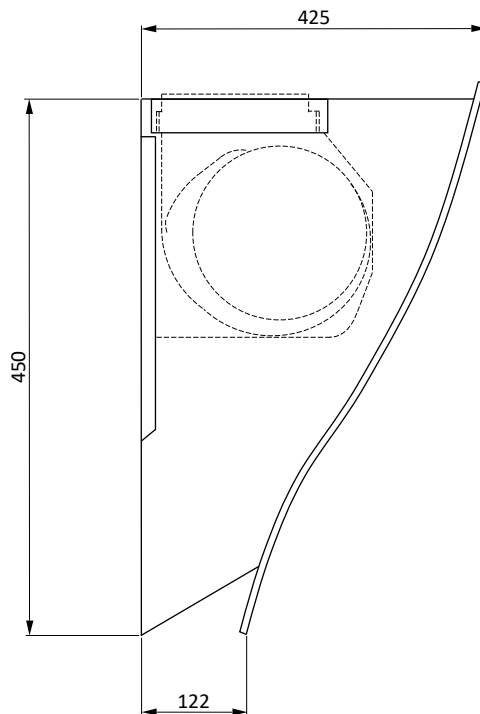
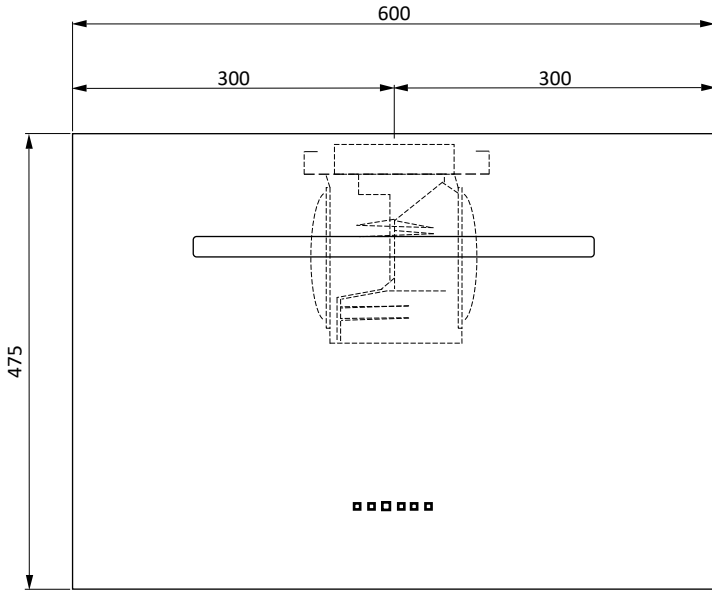
**The manufacturer accepts no responsibility for damage to the surface of the hood due to failure to respect these instructions.**

## 6. Technical Data

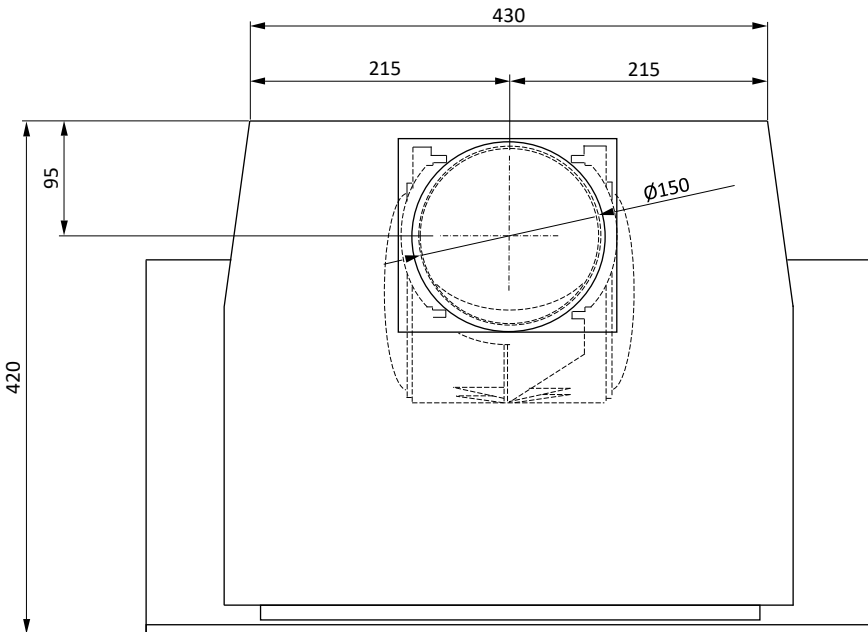
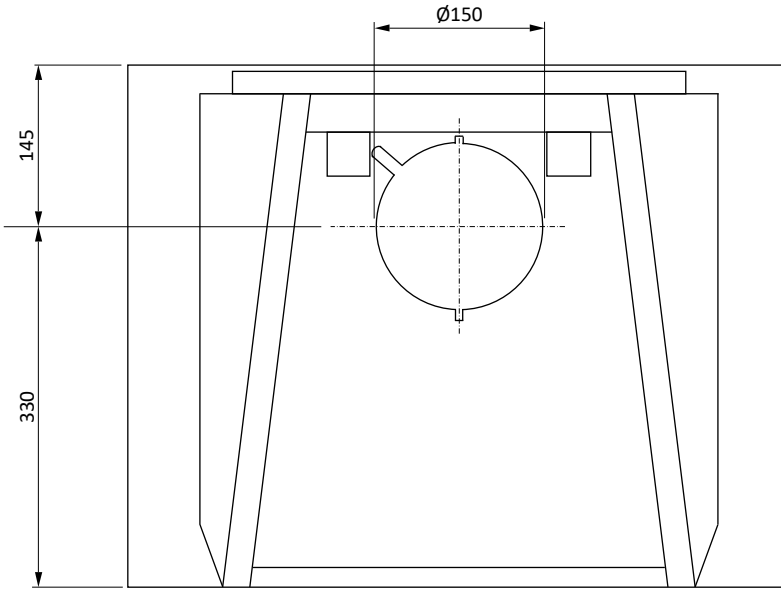
	Hamlet 60 & H850 Motor	Hamlet 80 & H850 Motor
Control	Soft touch/remote control	
Colour/finish	Black glass/Stainless steel	
Lighting	2 x LED (4000K)	
Airflow (m³/h)	290-500 (735)	345-600 (770)
Pressure (Pa)	563	579
Noise (db)	50-61	50-60
Power (W)	235	
Voltage (V)	220-240	
Outlet Width (mm)	150	
Energy Class	B	
Weight (kg)	13	17

## 7. Dimensions

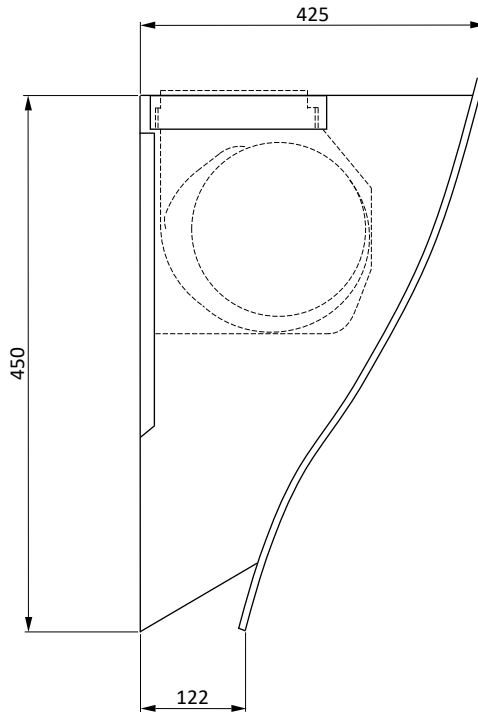
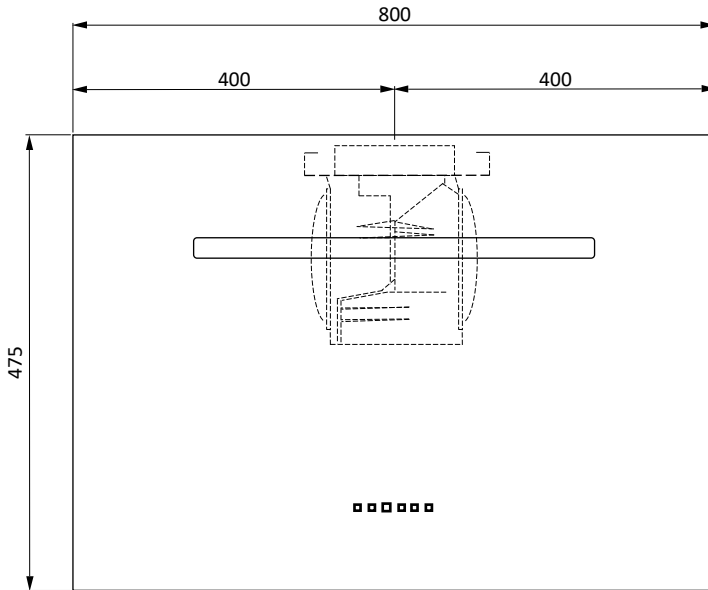
### 7.1 Hamlet 60



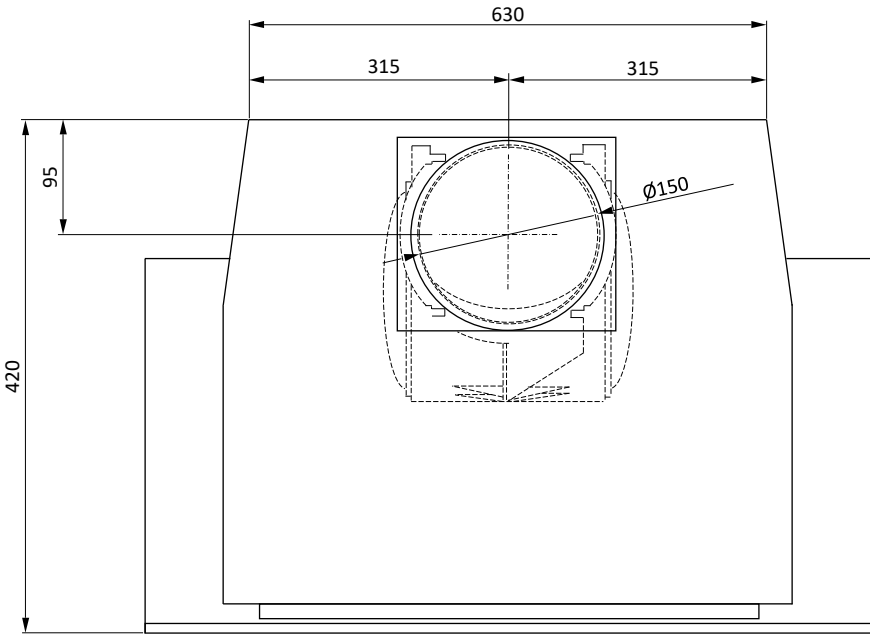
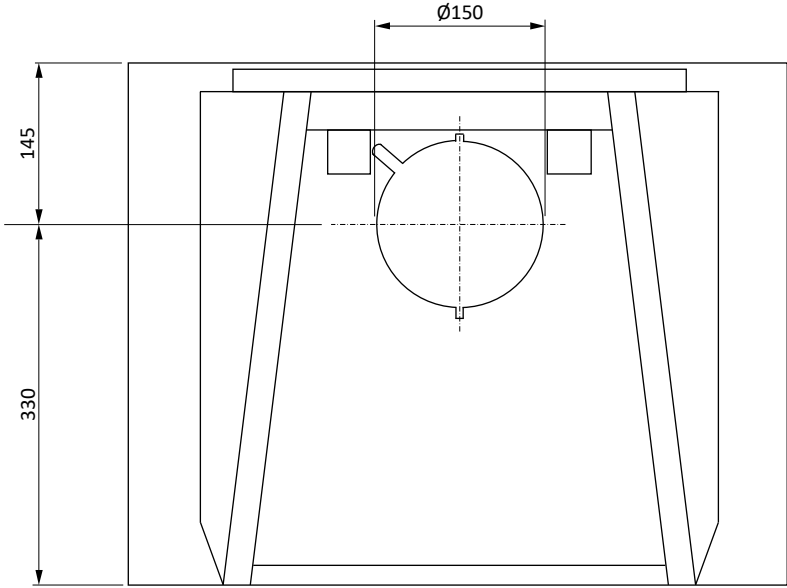
# Back Outlet Option



## 7.2 Hamlet 80



# Back Outlet Option







CD (UK) Ltd T/A Air Uno  
Unit L, Wakefield House  
Thistle Way  
Gildersome Spur  
Morley  
West Yorkshire  
LS27 7JZ

CD (UK) Ltd T/A Air Uno is a company registered in England and Wales Registration No. 2905619



Copyright of all contents of this leaflet is vested in CD (UK) Ltd t/a Air Uno. Any part may not be reproduced without permission. The contents of this leaflet are accurate at the date of printing but, because CD (UK) Ltd t/a Air Uno has a policy of continual development, it may be superseded and should be disregarded if specifications or appearances are changed. The statutory rights of the customer are not affected. E&OE's.