

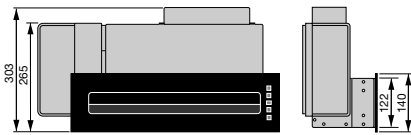
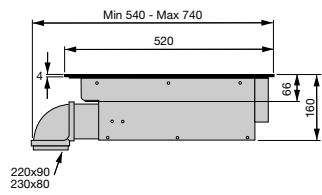
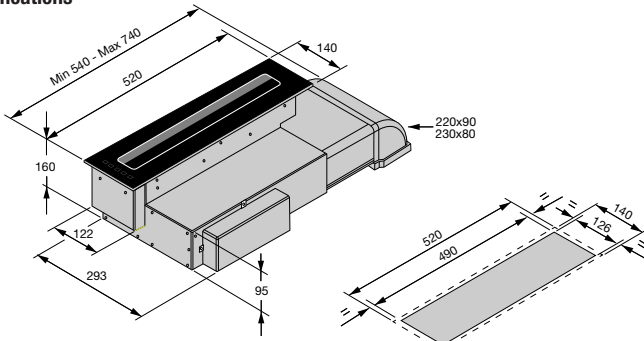


Introducing the
new Airuno hob
combination

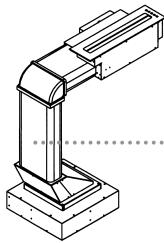
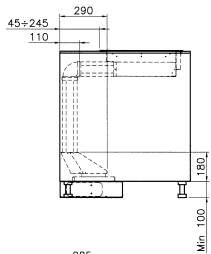
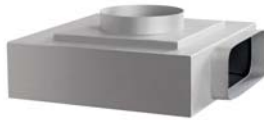
The Bach-Evo
countertop extractor
with Domino induction hobs

BACH-EVO COUNTERTOP EXTRACTOR

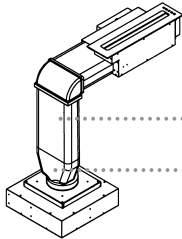
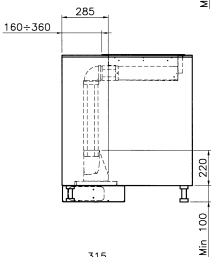
Specifications



AMF13 Plinth Motor

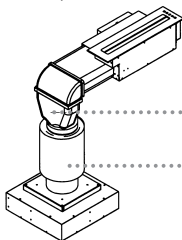
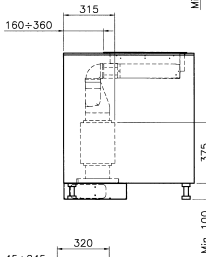


F-VRO optional



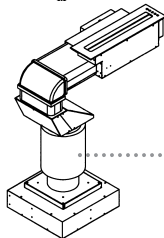
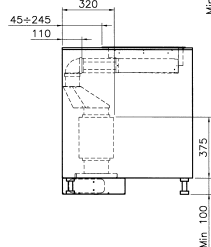
F-VRO optional

F-EST optional



F-EST optional

KSIL optional



KSIL optional

Controls:
Touch Controls

Width:
520mm

Colour/finish:
Black Glass

Motor	AMF13 Plinth Motor
Airflow m3/h	483
Pressure Pa	740
Noise db	61-72
Power W	190
Outlet Width mm	150
Energy Class	B

New Filter System
New Removable Liquid Collection Channel

Bach-Evo countertop extractor

with
2 no. Domino induction hobs

£1808

with
1 no. Domino induction hob
1 no. Flexi hob

£2079

with
2 no. Flexi hobs

£2350

All the above include for AMF13 plinth motor.

The above prices are retail exclusive of VAT.

Plinth charcoal filter kit

£167
exc. VAT

Optional carbon filter with 4kg of granular activated high quality carbon to provide up to 3 years without maintenance.



KFCPZ

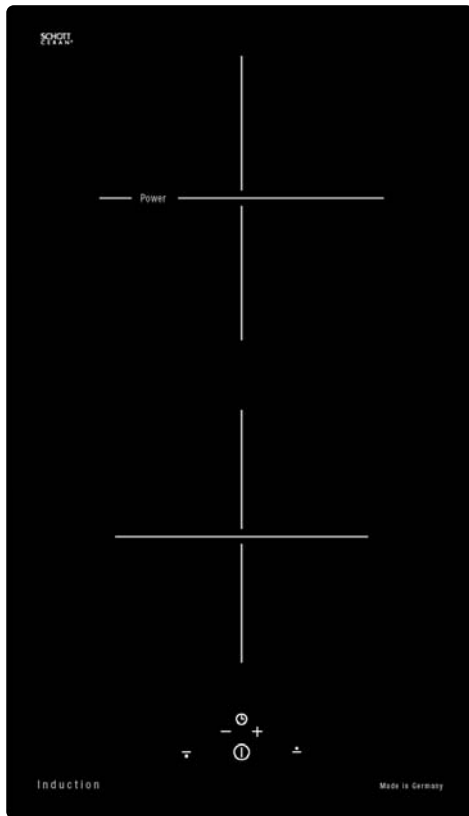
Silencer kit

£108
exc. VAT



KSIL

DOMINO INDUCTION HOB

**Domino Induction Hob IKT 302****Versions and device dimensions (B x H x T):**

Frameless 300 x 55 x 520mm

Opening dimensions (B x T):

265 x 490mm

Equipment/functions:

Power level for rear cooking zone

Timer

Child lock (key combination)

Control:

Safety shut-off

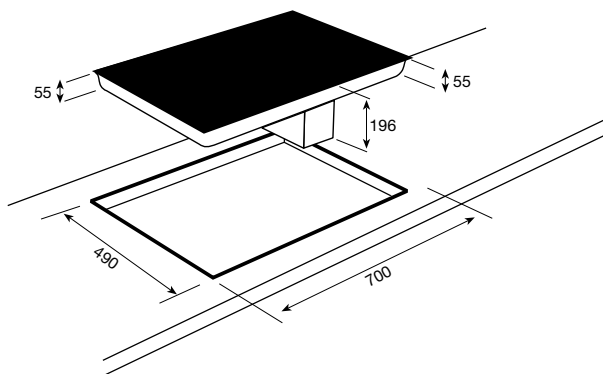
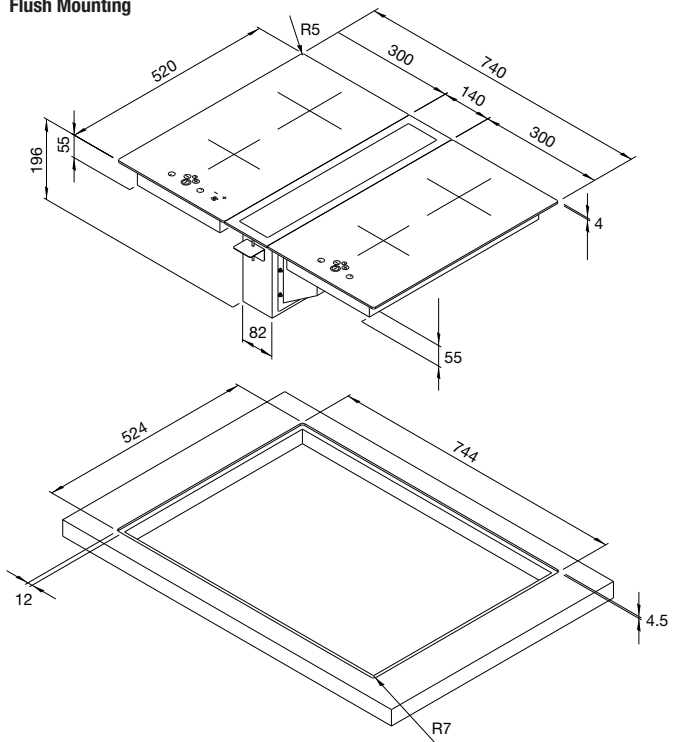
Sensor control/TC easy

Residual heat indicator

Cooking zones:1 induction cooking zone \varnothing 160mm, 1.4 kW1 induction cooking zone \varnothing 200mm, 1.4/2.0 kW**Connected loads:**

Voltage AC 230V

Output 3.4kW

Surface Mounting**Flush Mounting**

The cooker hobs with the designation "DS" are equipped with the integrated controller for DA 120 fume extraction.

DOMINO FLEXI INDUCTION HOB

Domino Flexi Induction Hob IKT 382

Versions and device dimensions (B x H x T):

Frameless 380 x 52 x 520mm, R = 5mm

Opening dimensions (B x T):

360 x 490mm

Equipment/functions:

- Automatic Cooking
- Power level for each cooking zone
- Bridge function (front and rear)
- Timer
- Melt setting 42°C
- Hold setting 70°C
- Simmer setting 94°C
- Pause function
- Recall function
- Lock
- Child lock (key combination)

Control:

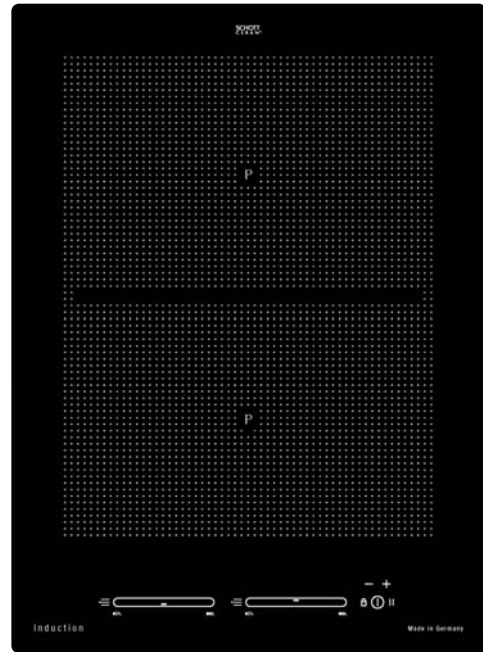
- Safety shut-off
- Sensor control/TC-Flex slider
- Residual heat indicator

Cooking zones:

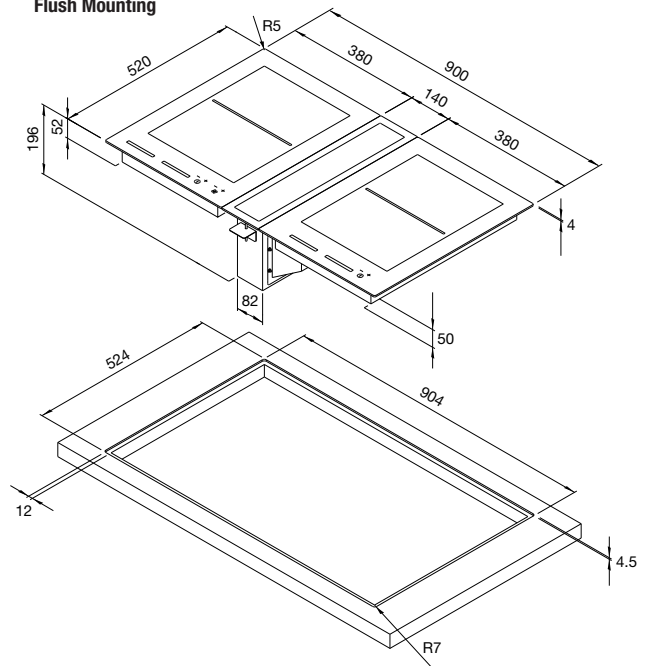
2 induction cooking zones 190 x 220mm, 2.1/3.7 kW

Connected loads:

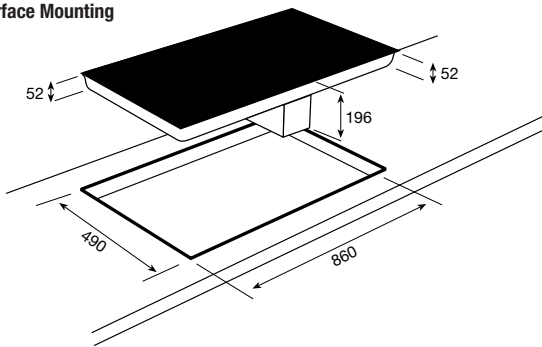
Voltage AC 230V
Output 3.7kW



Flush Mounting



Surface Mounting



The cooker hobs with the designation "DS" are equipped with the integrated controller for DA 120 fume extraction.

We have our own engineer who is available to help you at all times

For service calls contact Jonathan Gledhill on 0113 201 2240